



MANTEC®

specialist vehicle equipment

FITTING INSTRUCTION

EINBAUANLEITUNG

INSTRUCTION DE MONTAGE

ISTRUZIONI PER L'USO

INSTRUCCIONES DE MONTAJE

INSTRUÇÕES DE MONTAGEM

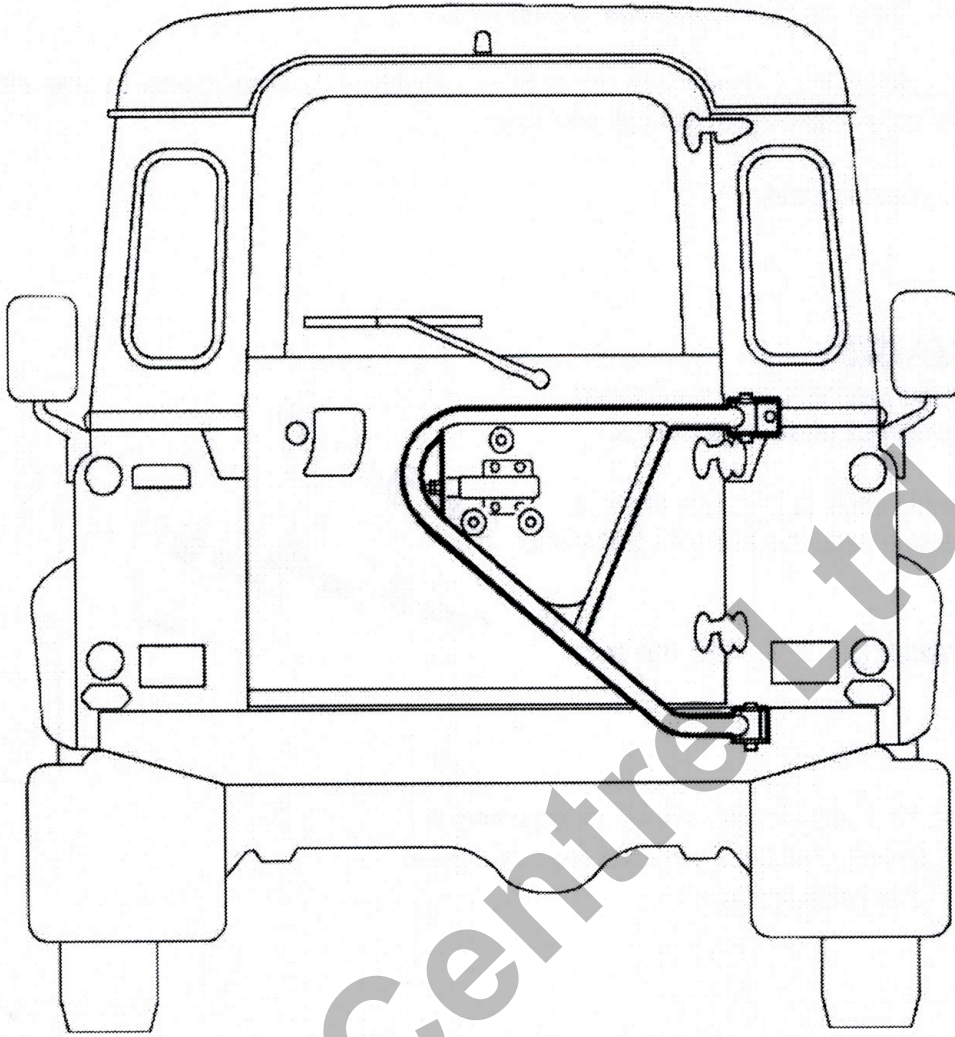
MONTAGEHANDLEIDING

ΟΔΗΓΙΑ ΤΟΠΟΘΕΤΗΣΗΣ

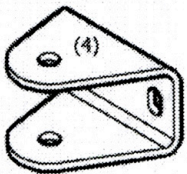
取付用マニュアル

PART No. 214-MASWC

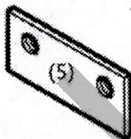
214-MASWC SWING AWAY 50



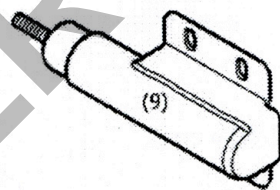
Top Hinge



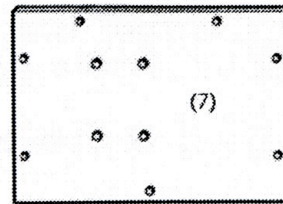
Top Hinge Backing Plate



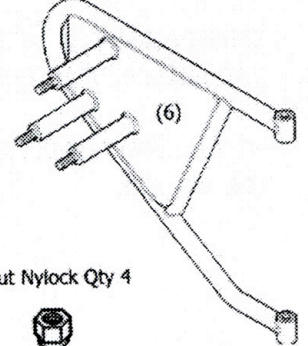
Piston Carrier Assembly



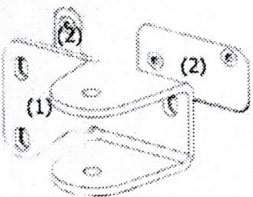
Door Plate



Frame Assembly



Bottom Hinge & Backing Plates



M10 x 30 Bolt Qty 2

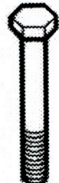


M10 Washer Qty 2

M8 x 25 Bolt Qty 8



M12 x 90 Bolt Qty 2



M8 Washer Flat Qty 12



M12 Washer Qty 4



M8 Nut Nylock Qty 4



M12 Penny Washer Qty 2



M12 Nut lock Nut



(12)



M12 Nut

M12 Washer



(11)



M12 Rubber Washer

M12 Nut Nylock Qty 2



PLEASE NOTE THE FOLLOWING :

To ensure that the mechanism works to it's full potential the **SWING AWAY 50** must be fitted squarely to the body and will require final adjustments to achieve this.

During assembly only "pinch tighten" bolts, on completion when a satisfactory fit is achieved all fasteners will then need to be fully tightened.

Before drilling check that there are no cables or other obstructions in the effected area, as necessary carefully remove any internal trim.

Remove spare road wheel.

BOTTOM HINGE

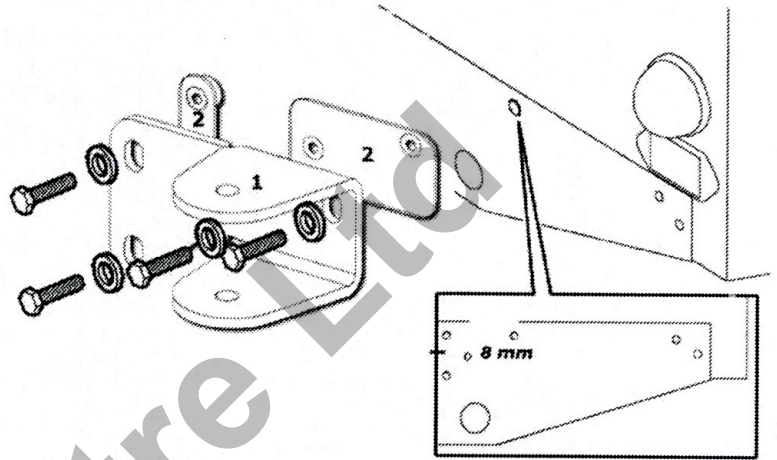
Remove the two fixings, remove and discard grab handle existing nut plate and fixings.

Position the bottom hinge (1), locate the nut plates (2) and secure with the four M8 bolts and washers.

NOTE: The nut plates (2) go behind the rear cross member.

NOTE:

To ensure that the wheel carrier fits squarely the upper and lower hinges should be an equal distance from the body edge.

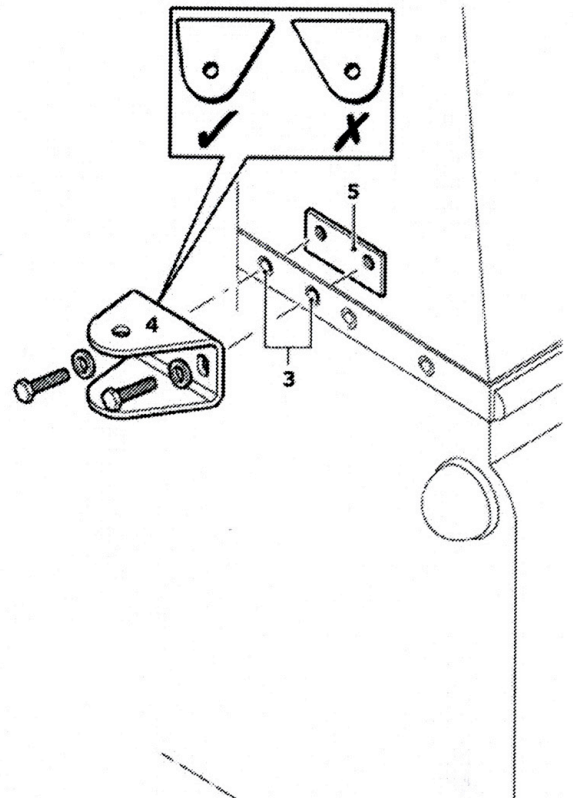


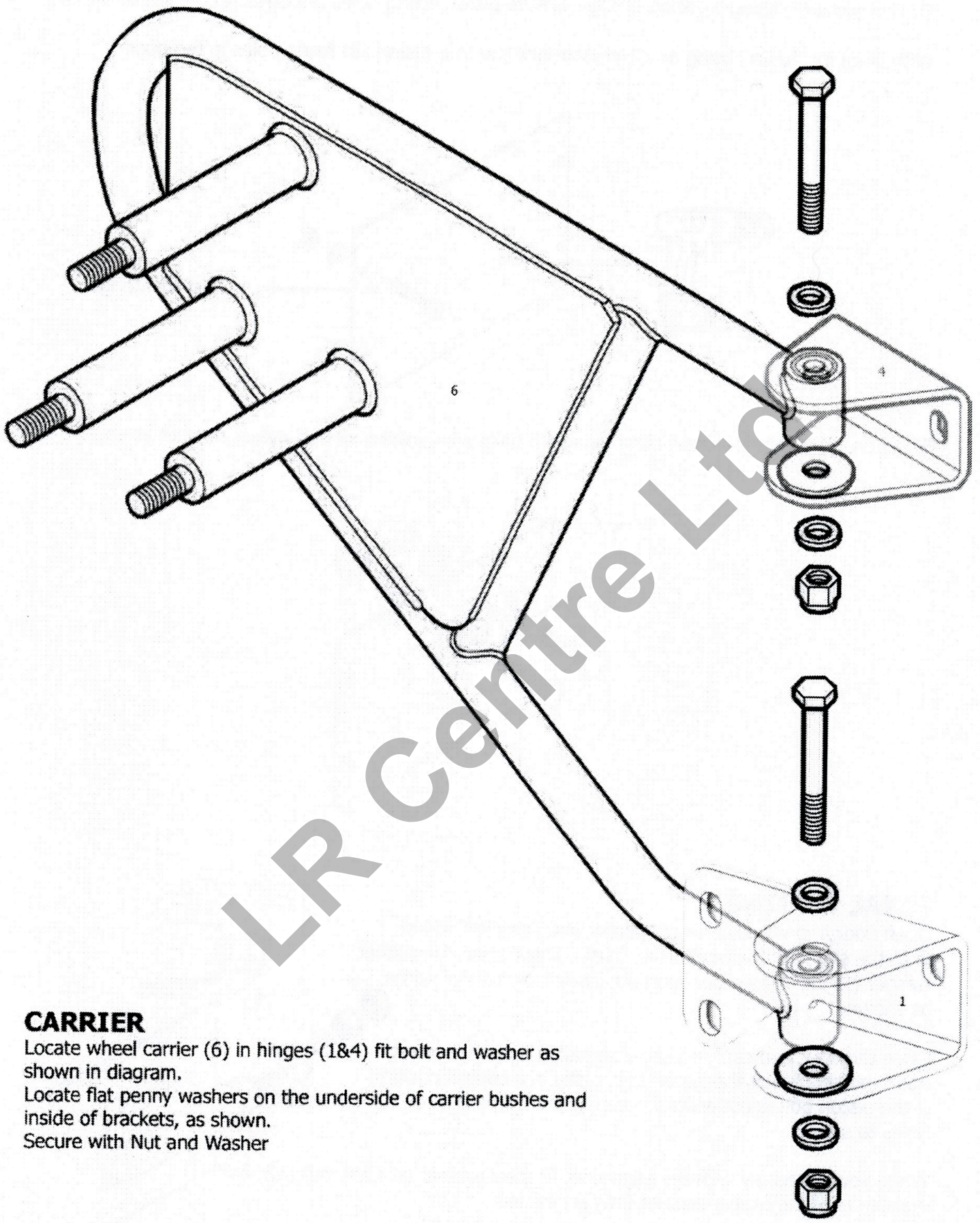
TOP HINGE

Remove the two existing rivets from the body capping and drill out the two holes (3) to 11mm for M10 Bolts.

Position the top hinge (4) as shown, locate the nut plate (5) and secure with the two M10 bolts and washers.

NOTE: The nut plate (5) goes behind the body work, inside the vehicle.





CARRIER

Locate wheel carrier (6) in hinges (1&4) fit bolt and washer as shown in diagram.

Locate flat penny washers on the underside of carrier bushes and inside of brackets, as shown.

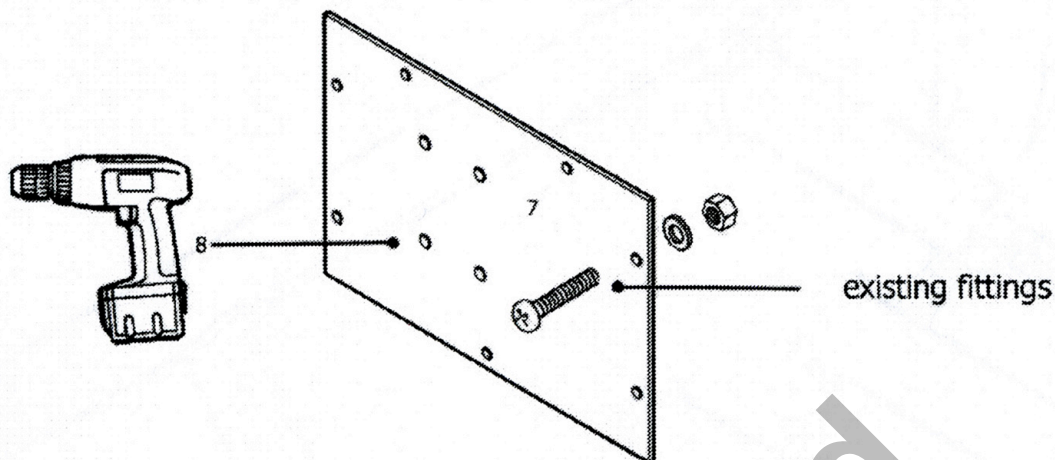
Secure with Nut and Washer

DOOR PLATE AND PISTON ASSEMBLY

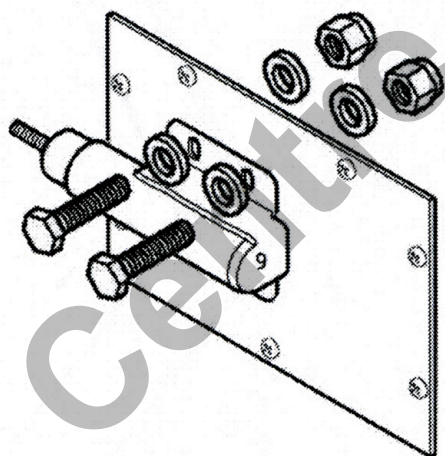
Remove existing carrier and plate from door.

Fit new plate (7) using existing fittings, ensure piston fitting holes are offset to the left as shown.

With plate in situ and using as a template drill the four piston (8) fixing holes in the door.



Fit piston (9) squarely to new plate using M8 bolts x4, washers x8 and nylock nuts x4 as shown.



FINAL FITTING

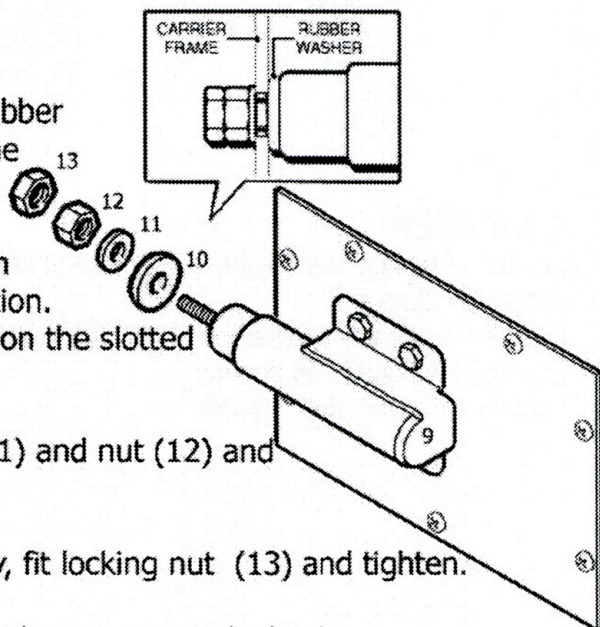
Open door and wheel carrier together and draw the piston in to the slot in the wheel carrier frame. Ensure that the rubber washer (10) is located between the piston and carrier frame as shown.

Close the door and carrier, centralise piston bolt. Fully open door and check that the piston bolt is still in a central position. If the piston bolt is not central - realign the piston bracket on the slotted holes to suit.

When you are happy with the alignment fit steel washer (11) and nut (12) and tighten until the rubber washer (10) is pinched.

Check that the carrier/door opens and closes satisfactorily, fit locking nut (13) and tighten.

Tighten all remaining fittings. Refit any internal trim and replace spare road wheel.



Accessories

WARNING

Accessories which are not properly fitted can be dangerous. Read the instructions carefully prior to fitting. Whilst fitting, comply with the instructions at all times. If in doubt, contact your nearest mantec Dealer.

ACHTUNG!

Nicht sachgemäß montiertes Zubehör kann gefährlich sein. Lesen Sie die Montageanleitung sorgfältig, bevor Sie das Teil montieren. Halten Sie sich bei der Montage an die Anleitung. Bei Unsicherheiten wenden Sie sich bitte an Ihren mantec Händler.

AVERTISSEMENT

Les accessoires qui ne sont pas correctement montés risquent d'être dangereux. Veuillez lire soigneusement les instructions avant d'effectuer la pose. Respectez toujours les instructions en cours de pose. En cas de doute, consultez votre concessionnaire mantec local.

AVVERTENZA

Gli accessori non sistemati come previsto possono essere pericolosi. Leggere attentamente le istruzioni prima del fissaggio. Durante il montaggio seguire sempre le relative istruzioni. In caso di dubbio rivolgersi al più vicino concessionario della mantec.

AVISO

Aquellos accesorios que no hayan sido ajustados debidamente pueden resultar peligrosos. Lea las instrucciones detenidamente antes de iniciar el montaje. Durante el montaje siga las instrucciones en todo momento. En caso de duda póngase en contacto con su Concesionario de mantec.

ADVERTÊNCIA!

Os Acessórios que não são montados adequadamente podem ser perigosos. Leia as instruções cuidadosamente antes de montar. Durante a montagem, obedeça as instruções todo o tempo. Se tiver alguma dúvida, contacte o Concessionário mantec mais próximo.

WAARSCUWING

Accessoires die niet op de juiste wijze zijn gemonteerd kunnen gevaar opleveren. Lees zorgvuldig de instructies alvorens met de montage te beginnen. Houd u tijdens de montage te allen tijde aan de instructies. Neem bij twijfel contact op met de dichtstbijzijnde mantec dealer.

ΠΡΟΕΙΔΟΠΟΙΗΣΗ

Τα προαιρετικά εξαρτήματα που δεν έχουν τοποθετηθεί σωστά μπορεί να είναι επικίνδυνα. Διαβάστε τις οδηγίες πριν προχωρήσετε στην τοποθέτησή τους. Κατά την τοποθέτηση, τηρείτε συνεχώς τις οδηγίες. Αν έχετε οποιαδήποτε αμφιβολία, επικοινωνήστε με τον πλησιέστερο αντιπρόσωπο της.

注意

正しく取り付けられていない備品があると、事故の原因になります。取付ける前にこのマニュアルをよくお読みください。取付けの際は必ずこのマニュアルにある指示に従ってください。何か不明な点がありましたら、お近くのランド・ローバー社のディーラーまでお問い合わせください。